

Superb *Framer*

CN350B
ROUND HEAD STRIP NAILER
with extended magazine

Technical features:

- The CN350B nailer is a fit for purpose Robust & Powerful hand nailer converted to Auto nailer.
- The nailer is a Ready to Mount system suitable for Weinmann & Partner equipment and other OEMs
- Extended magazine with reloading opening at the end ensuring the full length of magazine being used and optional gravity fed (vertical position)
- No inconvenient reloading stops – Strip nails can be drop in whilst framing
- CAD-CAM manufacturing – magazine is equipped with a sensor to monitor the Magazine status
- Nailer can be equipped with and without a mechanical safety yoke

Fit for purpose Powerfull,
Robust and large capacity
Ready-to-mount nailer



Mechanical safety yoke and special design **Contact** element reducing drag

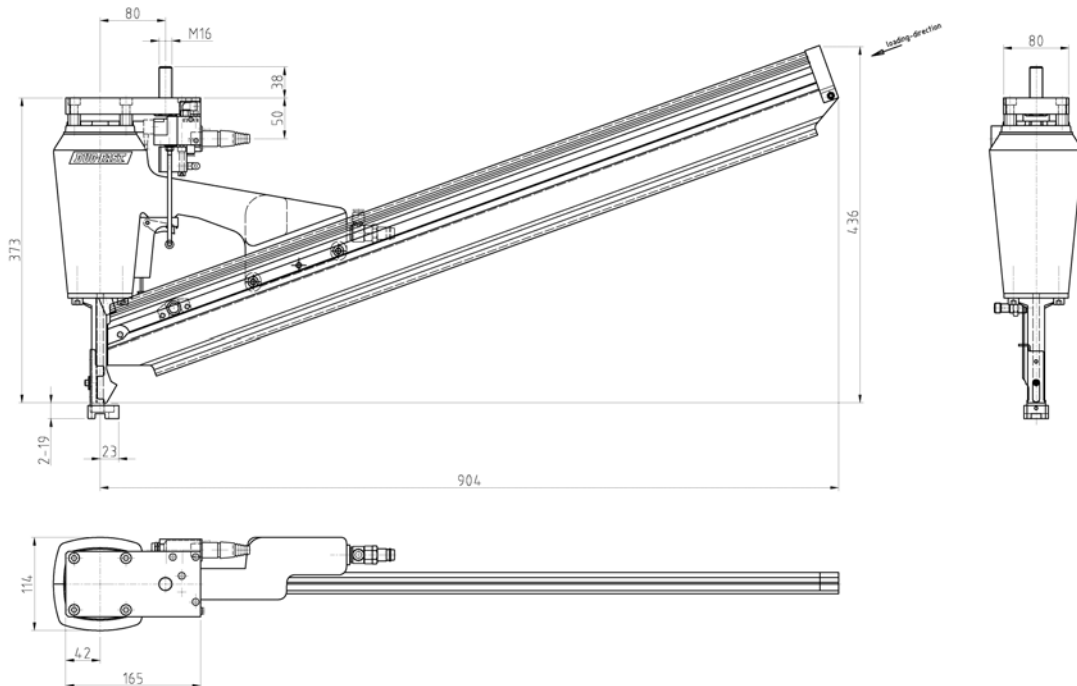


Magazine sensor also a flat type of sensor available



Remote trigger with and without mechanical safety yoke. Nailer is activated with 24 Vdc signal





Service & Support

- Paslode Duo-fast Industry liaises with the automation equipment manufacturers providing support at every stage of the project.
- Spare-part kits, technical drawings, connection diagrams available. PDI provides CN350B tool training to customers.

Application:

- Framing and sub component manufacturing



Type of tool / PDI-no.:		SD-CN350B-02
fasteners		round head strip nails 50 - 100mm nail length, ø 2,8 - 3,4mm
magazine capacity	(nails)	5 strips = 150 nails
supply		filtered, lubricated air -plug NW12 24 V DC sensor type PNP
working pressure	(bar)	5-7
sound levels	(dB (A))	102,2
weight	(kg)	6,7 without nails
main dimensions		DIM-CN350B-02
connection diagram		CD-CN350B-02